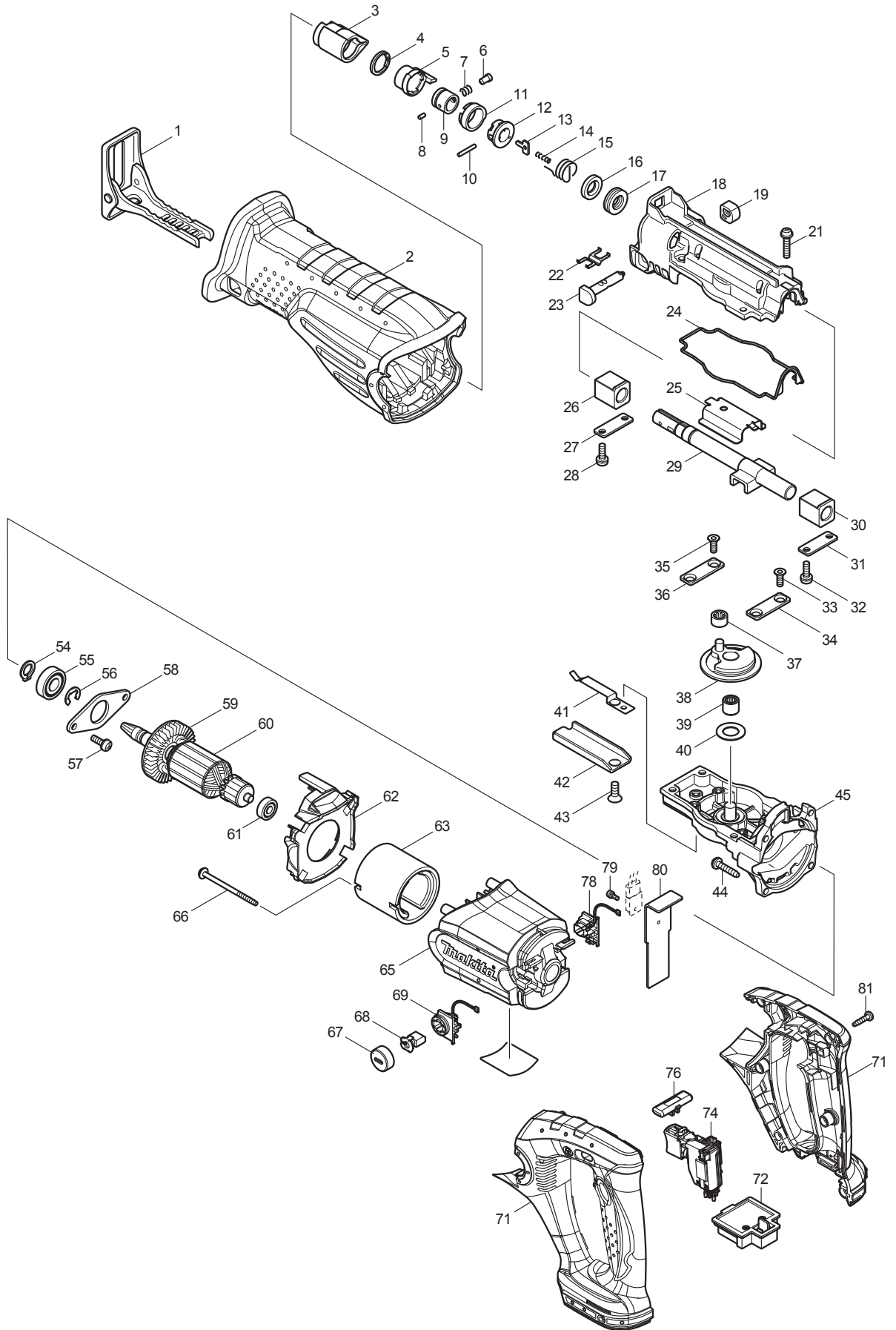




09 - 2011
BJR182 / BJR182F / BJR182Z / BJR182X
18V RECIPRO SAW



| Item No. | Type | Sub | Part No. | Description | Q'ty | Unit |
|----------|------|------|----------|---|------|------|
| 1 | | | 163451-9 | SHOE | 1 | PC. |
| 2 | | | 424046-6 | INSULATION COVER | 1 | PC. |
| 3 | | | 424147-0 | * PROTECTOR | 1 | PC. |
| 4 | | | 257952-8 | RETAINING RING (EXT) 18 | 1 | PC. |
| 5 | | | 310285-3 | * DRIVING SLEEVE | 1 | PC. |
| 6 | | | 256492-3 | SHOULDER PIN 5 | 1 | PC. |
| 7 | | | 233345-3 | COMPRESSION SPRING 6 | 1 | PC. |
| 8 | | | 268094-3 | PIN 3 | 1 | PC. |
| 9 | | | 331720-8 | GUIDE SLEEVE | 1 | PC. |
| 10 | | | 256158-5 | PIN 3 | 1 | PC. |
| 11 | | | 417791-0 | DRIVING SLEEVE GUIDE | 1 | PC. |
| 12 | | | 418311-3 | SLEEVE | 1 | PC. |
| 13 | | | 345214-7 | PUSH PLATE | 1 | PC. |
| 14 | | | 233025-1 | COMPRESSION SPRING 2 | 1 | PC. |
| 15 | | | 231687-9 | TORSION SPRING 17 | 1 | PC. |
| 16 | | | 213151-2 | OIL SEAL 14 | 1 | PC. |
| 17 | | | 213174-0 | X RING 14 | 1 | PC. |
| 18 | | | 154813-2 | GEAR HOUSING COVER COMPLETE | 1 | PC. |
| | | INC. | | Item No. 16 & 17 | | |
| 19 | | | 418806-6 | CAP | 1 | PC. |
| 21 | | | 911243-8 | P.H. SCREW M5X25 | 4 | PC. |
| 22 | | | 232221-8 | LEAF SPRING A | 1 | PC. |
| 23 | | | 162236-0 | SHIFT BUTTON | 1 | PC. |
| 24 | | | 421946-1 | SEAL RING | 1 | PC. |
| 25 | | | 345480-6 | SLIDE PLATE | 1 | PC. |
| 26 | | | 214170-1 | PLANE BEARING 14A | 1 | PC. |
| 27 | | | 341462-6 | PLATE | 1 | PC. |
| 28 | | | 911225-0 | P.H. SCREW M5X16 | 2 | PC. |
| 29 | 1 | | 154788-5 | SLIDER COMPLETE | 1 | PC. |
| | 2 | | 168405-1 | SLIDER COMPLETE | 1 | PC. |
| 30 | | | 214170-1 | PLANE BEARING 14A | 1 | PC. |
| 31 | | | 341462-6 | PLATE | 1 | PC. |
| 32 | | | 911225-0 | P.H. SCREW M5X16 | 2 | PC. |
| 33 | | | 265148-7 | TORX SOCKET HEAD SCREW M5X14 | 2 | PC. |
| 34 | | | 344795-8 | PLATE C | 1 | PC. |
| 35 | | | 265148-7 | TORX SOCKET HEAD SCREW M5X14 | 2 | PC. |
| 36 | | | 344795-8 | PLATE C | 1 | PC. |
| 37 | 1 | | 212001-8 | NEEDLE BEARING 708 (Material of Cage Plastic) | 1 | PC. |
| | 2 | | 212959-1 | NEEDLE BEARING 708 (Material of Cage Metal) | 1 | PC. |
| 38 | | | 125423-2 | GEAR ASS'Y | 1 | PC. |
| | | INC. | | Item No. 39 | | |
| 39 | | | 212080-6 | NEEDLE BEARING 1012 | 1 | PC. |
| 40 | | | 253797-2 | FLAT WASHER 14 | 1 | PC. |
| 41 | | | 232222-6 | LEAF SPRING B | 1 | PC. |
| 42 | | | 345479-1 | SHOE GUIDE | 1 | PC. |
| 43 | | | 265165-7 | TORX SOCKET C.S.HEADSCREW M6X16 | 1 | PC. |
| 44 | | | 266041-8 | TAPPING SCREW 5X25 | 4 | PC. |
| 45 | | | 154812-4 | GEAR HOUSING COM. | 1 | PC. |
| 54 | | | 961052-5 | RETAINING RING S-12 | 1 | PC. |
| 55 | | | 210102-6 | BALL BEARING 6001DDW | 1 | PC. |
| 56 | | | 961016-9 | STOP RING E-10 | 1 | PC. |
| 57 | | | 911225-0 | P.H. SCREW M5X16 | 2 | PC. |
| 58 | | | 285726-7 | BEARING RETAINER 63 | 1 | PC. |
| 59 | | | 241869-5 | FAN 55 | 1 | PC. |
| 60 | | | 519176-7 | ARMATURE ASS'Y 18V | 1 | PC. |
| | | INC. | | Item No. 59 & 61 | | |
| 61 | | | 210062-2 | BALL BEARING 607ZZ | 1 | PC. |

| Item No. | Type | Sub | Part No. | Description | Q'ty | Unit |
|----------|------|------|----------|--|------|------|
| 62 | | | 450176-7 | BAFFLE PLATE | 1 | PC. |
| 63 | | | 638571-3 | YOKE UNIT | 1 | PC. |
| 65 | | | 158391-4 | MOTOR HOUSING COM.(BLUE) | 1 | PC. |
| | | INC. | 810201-0 | CAUTION LABEL | 1 | PC. |
| 65A | | | 158436-8 | MOTOR HOUSING COM(WHITE) | 1 | PC. |
| | | INC. | 810201-0 | CAUTION LABEL | | |
| 66 | | | 266292-3 | TAPPING SCREW 4X65 | 2 | PC. |
| 67 | | | 643829-7 | BRUSH HOLDER CAP | 2 | PC. |
| 68 | 1 | | 194435-6 | CARBON BRUSH CB-441, 2PC/SET, W/O ORIGIN - N/L/A | 1 | SET |
| | 2 | | 195022-4 | CARBON BRUSH CB-441, 2PC/SET, W/ORIGIN | 1 | SET |
| 69 | | | 643827-1 | BRUSH HOLDER | 1 | PC. |
| 71 | 1 | | 188366-9 | HANDLE SET(BLUE) | 1 | PC. |
| | 2 | | 187208-4 | HANDLE SET(BLUE) | 1 | PC. |
| 71A | 1 | | 188367-7 | HANDLE SET(WHITE) | 1 | PC. |
| | 2 | | 187209-2 | HANDLE SET(WHITE) | 1 | PC. |
| 72 | 1 | | 643812-4 | * TERMINAL, BLACK | 1 | PC. |
| | 2 | | 643838-6 | * TERMINAL | 1 | PC. |
| | 3 | | 643859-8 | * TERMINAL | 1 | PC. |
| 74 | 1 | | 650595-9 | * SWITCH C3HZ-1A-T2M | 1 | PC. |
| | 2 | | 650648-4 | * SWITCH C3HZ-1A-T2MS | 1 | PC. |
| 76 | | | 450177-5 | LOCK OFF BUTTON | 1 | PC. |
| 78 | | | 643826-3 | BRUSH HOLDER | 1 | PC. |
| 79 | | | 911006-2 | P.H. SCREW M3X8 | 1 | PC. |
| 80 | | | 689116-0 | HEAT SINK | 1 | PC. |
| 81 | | | 266326-2 | TAPPING SCREW 4X18 | 6 | PC. |

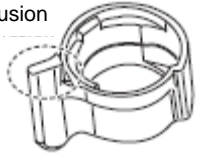
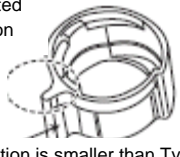


ACCESSORIES

- See catalogue or visit www.makita.ca for more optional accessories -

| | | | | | | |
|-----|---|------|-----------|---|---|-----|
| A01 | 1 | | 193572-3 | RECIPRO SAW BLADE 3PC/SET - N/L/A | 1 | SET |
| | 2 | | 194068-7 | RECIPRO SAW BLADE 2PC/SET | 1 | SET |
| A02 | 1 | | DC18RA | CHARGER DC18RA | 1 | PC. |
| | 2 | | DC18RC | CHARGER DC18RC | 1 | PC. |
| | | | DC18SD | CHARGER DC18SD | 1 | PC. |
| | | | DC18SE | AUTOMOTIVE CHARGER DC18SE | 1 | PC. |
| | | | DC18RAKIT | CHARGER + BATTERY (DC18RA + BL1830) | 1 | SET |
| | | | DC24SC | CHARGER F/7.2 - 24V, 1.3 - 3.3 AH BATTERY | 1 | PC. |
| A03 | | | 194205-3 | 18V LI-ION BATTERY BL1830 | 1 | PC. |
| | | | 194230-4 | 18V LI-ION BATTERY BL1830, 2/PK | 1 | PK |
| | | | 194288-3 | 18V LI-ION BATTERY BL1830, 10/PK | 1 | PK |
| A04 | | | 450128-8 | BATTERY COVER F/LI-ION | 1 | PC. |
| A05 | | | 194649-7 | BATTERY PROTECTOR (BL1430, BL1830) | 1 | PC. |
| A06 | 1 | | 824818-3 | PLASTIC CARRYING CASE | 1 | PC. |
| | | INC. | 163455-1 | LATCH | 2 | PC. |
| | 2 | | 141357-1 | PLASTIC CARRYING CASE COMPLETE | 1 | PC. |
| | | INC. | 163455-1 | LATCH | 2 | PC. |
| | | | 821007X | TOOL BAG (BJR182X) | 1 | PC. |
| A07 | | | 195929-4 | BLADE CLAMP KIT (See Partsbreakdown 195929-4) | 1 | PC. |

SERVICE CHANGES

1. Changes on Driving Sleeve & Protector

| Item No. | Description | Type 1 | Type 2 |
|----------|----------------|---|---|
| 5 | Driving Sleeve | 310160-3 | 310285-3 |
| 3 | Protector | 421894-4 | 424147-0 |
| | Driving Sleeve | Protrusion  | Eliminated Protrusion  This portion is smaller than Type1 |
| | Protector |  |  Making for distinction This portion is smaller than Type1 |

Above parts are completely interchangeable as a set.

2. Changes on Switch, Terminal and Housing Set (Battery Protection Circuit)

(T/I# 84907)

(T/I# 92433)

| Item No. | Description | Type 1 | Type 2 | Type 3 |
|----------|------------------|----------|----------|----------|
| 74 | Switch | | 650595-9 | 650648-4 |
| 72 | Terminal | 643812-4 | 643838-6 | 643859-8 |
| 71 | Handle Set Blue | | 188366-9 | 187208-4 |
| 71A | Handle Set White | | 188367-7 | 187209-2 |

Above parts are completely interchangeable as a set.

Service Note:

- Use TYPE 3 parts for repair of the model manufactured on or after August 2011 with using Yellow lead wire between Switch and Terminal.
- Use TYPE 1-2 parts for repair of the model manufactured before August 2011 without using Yellow lead wire between Switch and Terminal.

**** See Technical Information #92433 for Wiring Diagram Change**